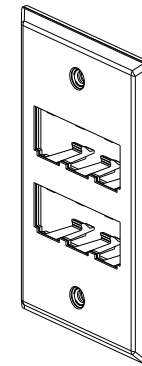
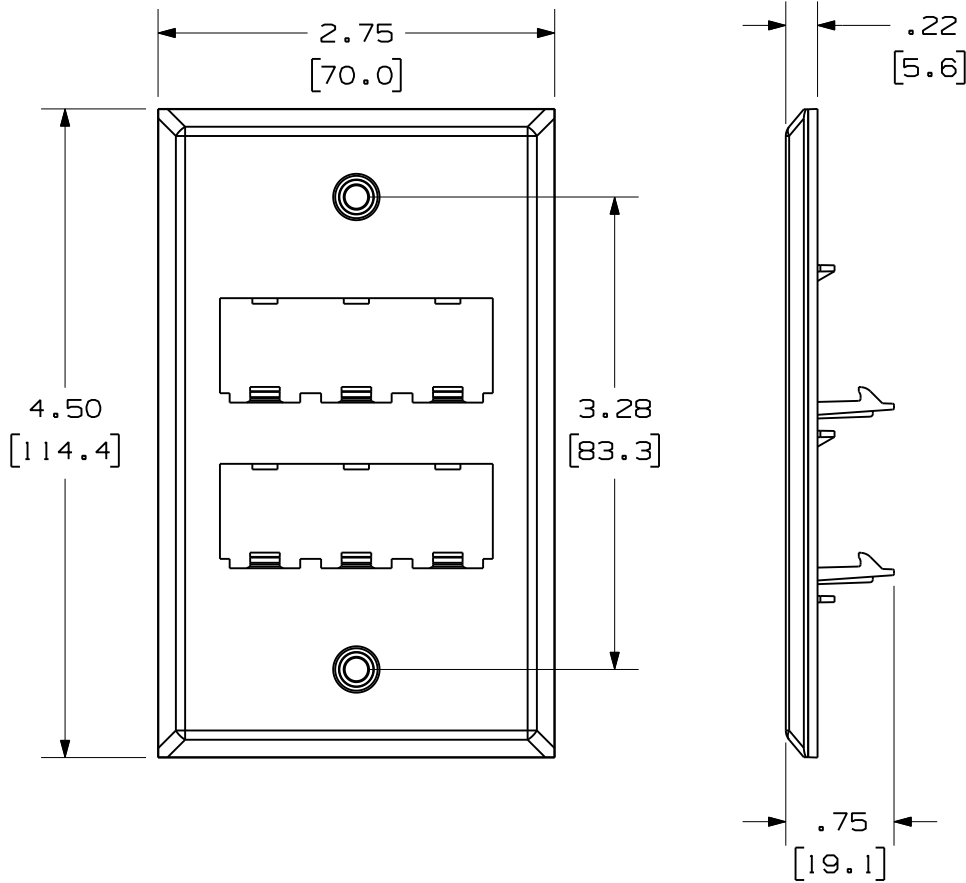


THIS COPY IS PROVIDED ON A RESTRICTED BASIS AND IS NOT TO BE USED IN ANY WAY DETRIMENTAL TO THE INTERESTS OF PANDUIT CORP.

| | |
|-------------|------------------------------------|
| PANDUIT P/N | WEIGHT |
| CFP6SY | 1.47 LB/10 PCS (666.8 g/10 PCS) |

NOTES:

1. SEE CURRENT CATALOG FOR ADDITIONAL PART NUMBER SUFFIXES TO INDICATE COLOR AND OR PACKAGE QUANTITY.
2. SEE CATALOG FOR COMPLETE LIST OF PARTS APPLICABLE FOR USE WITH THIS PART.
3. DIMENSIONS IN PARENTHESES ARE IN METRIC.
4. CFP6SY KIT CONTAINS:
1- FACEPLATE
2- #6-32 X 1" MOUNTING SCREW

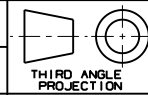


| | | |
|------------------|--------------------|------------------|
| MODEL FILENAME | M02418AA/01 | SIZE A |
| DRAWING FILENAME | M02479FF_DC138/00B | |

MINI-COM 6 POSITION STAINLESS STEEL FACEPLATE CUSTOMER DRAWING



| | |
|--------------------------|------|
| I.I. NUMBER | N/A |
| PRODUCT SPEC/ PKG SPEC | N/A |
| ASSY METHOD/ TEST METHOD | N/A |
| SCALE | NONE |



ALL DIMENSIONS ARE GIVEN IN INCHES, UNLESS OTHERWISE SPECIFIED.
DIMENSIONAL TOLERANCES ARE:
(.X) ± (.XXX) ±.005(.3)
(.XX) ±.03(.8) ANGLES ± 1°

| | | |
|-----------------|---|--------------------------|
| DRAWN BY JsP | REVIEW DRAWING NUMBERS | PART NO. CFP6SY |
| DATE 4-26-06 | MAT'L FACEPLATE- 304 STAINLESS STEEL BACKING- ABS | DRAWING NO. 02479-138 |
| CHK'D MJD | | |

| REV | DATE | BY | CHK | DESCRIPTION | ECN | R | CUST | SUP | OTH |
|-----|---------|-----|-----|------------------------------------|-----------|---|------|-----|-----|
| I | 1-25-11 | BJN | | A. FACEPLATE MATERIAL WAS 430 S.S. | 02479-138 | | | | |
| R | 4-26-06 | JsP | MJD | RELEASED TO PRODUCTION | 02479-138 | | | | |